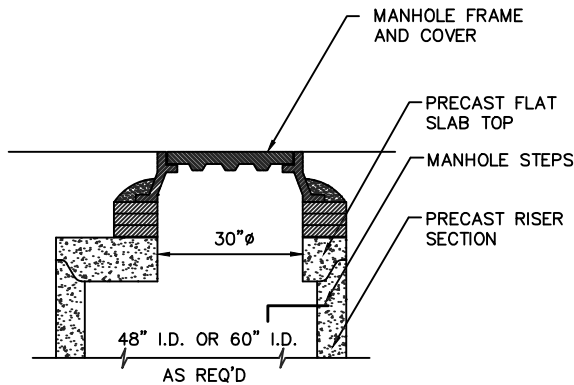


NOTES:

PLAN

1. DROP CONNECTION TO BE USED IN ALL CASES WHERE DIFFERENCE IN INLET & OUTLET INVERTS IS GREATER THAN 2 FEET. (SEE DROP CONNECTION DETAIL)
2. FLAT TOP TO BE USED ONLY WHERE SHALLOW CONDITIONS DO NOT PERMIT USE OF CONE SECTION. (SEE FLAT TOP DETAIL) AND APPROVED BY THE ENGINEER.



SECTION B - B

FLAT SLAB TOP DETAIL

NOT TO SCALE

© Mott MacDonald

THIS DOCUMENT IS ISSUED FOR THE PARTY WHICH COMMISSIONED IT AND FOR SPECIFIC PURPOSES CONNECTED WITH THE CAPTIONED PROJECT ONLY. IT SHOULD NOT BE RELIED UPON BY ANY OTHER PARTY OR USED FOR ANY OTHER PURPOSE. WE ACCEPT NO RESPONSIBILITY FOR THE CONSEQUENCES OF THIS DOCUMENT BEING RELIED UPON BY ANY OTHER PARTY, OR BEING USED FOR ANY OTHER PURPOSE, OR CONTAINING ANY ERROR OR OMISSION WHICH IS DUE TO AN ERROR OR OMISSION IN DATA SUPPLIED TO US BY OTHER PARTIES.

Title HANOVER SEWERAGE AUTHORITY WHIPPANY, NEW JERSEY FLAT SLAB TOP DETAIL						111 Wood Avenue South Iselin NJ 08830-4112 United States of America Certificate No. 24GA28016600 T +1 (800) 832 3272 F +1 (973) 376 1072 www.mottmacamericas.com	
Date	Drawn	Checked	Approved	Scale at ANSI A	Drawing Number	Status	Rev
				NONE	D-3	PRE	REV. 1